

DK112

AC-DC

CMOS

-
-
-
-
-
-
-

C

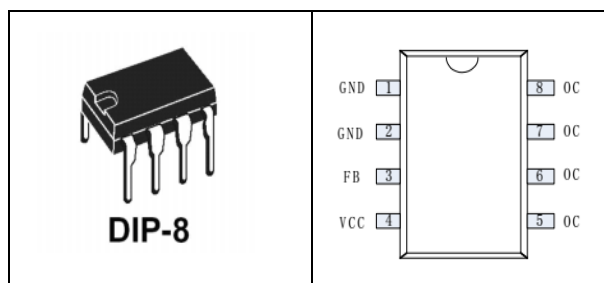
-
-
-
-

C

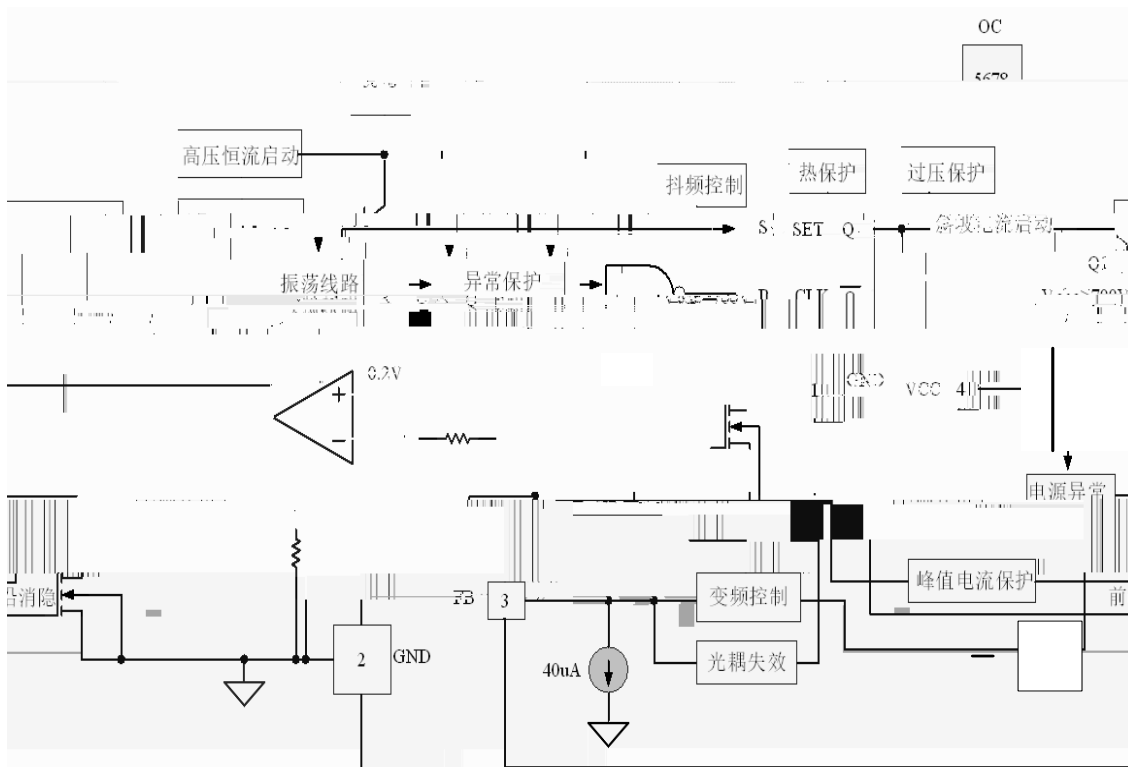
-
-
-

LED

DVD



1	GND	
2	GND	
3	FB	1nF 10nF
4	VCC	10uF 47uF
5,6,7,8	OC	



	L				
	L				
	L				
	C				
	T_W				

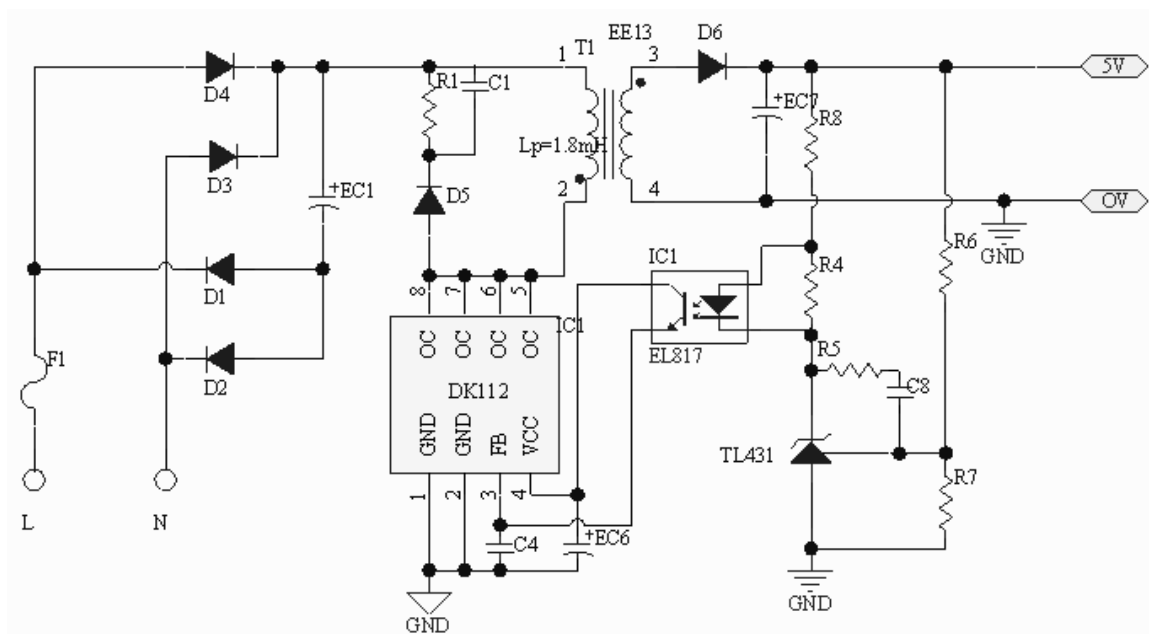
					C
					C
					C

C

C

$$T3 = 2\pi\sqrt{Lp * C0c}$$

C





-
-
-
-
-
-

-