

912

10	1					

E

C

17

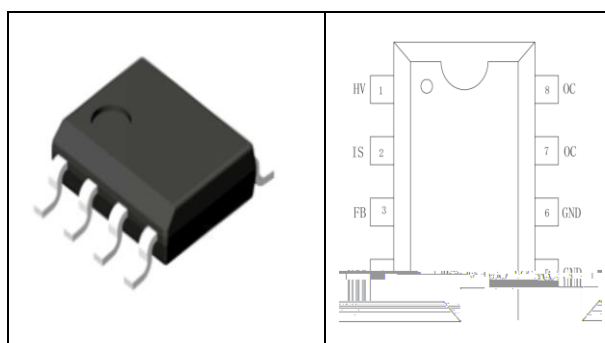
912

700

- 5 / 2 5
- 700
-
-
-

- C
- 2 5
-
- 4 C

- C
-
-



1		2 2 7
2		
3	E	
4		10 E 47 E
7		

	S	0 3			
			100		
	S	03		03	
	S	03		730	
	C			700	
	R R		00		
	R	25		125	
	R _R	55		150	
			2 0 5		

R 25



0

E 2 5

E

12

1

5

$$P_{out} = \frac{N * I_{out}}{F_s \max} = \frac{2 * L_p * I_p \max}{F_s \max}$$

E

E

E

E 5

5

x 400

x

0

2

4 7

3

4

2

15

E

3 7

E

E

11

00

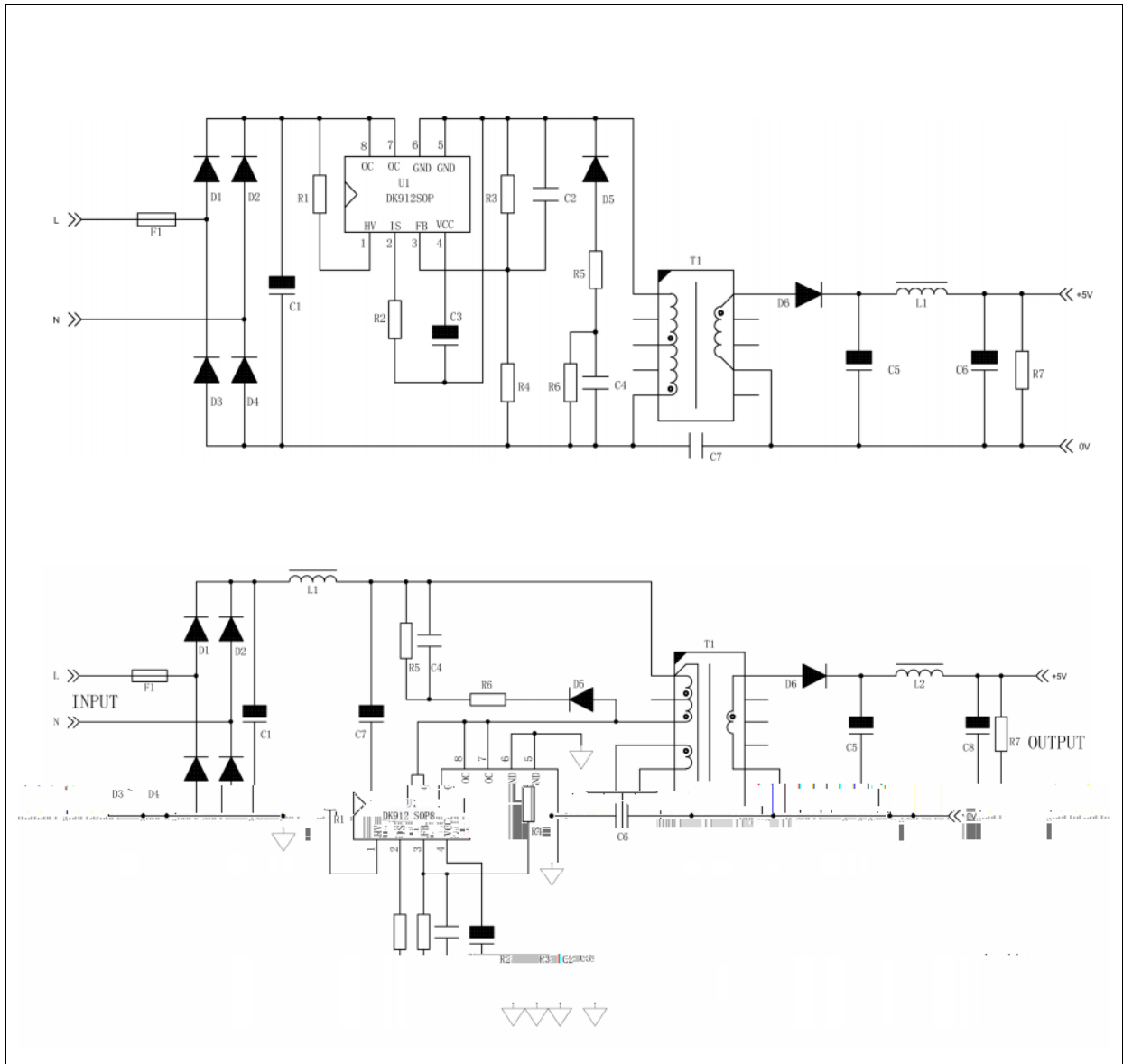
17

E

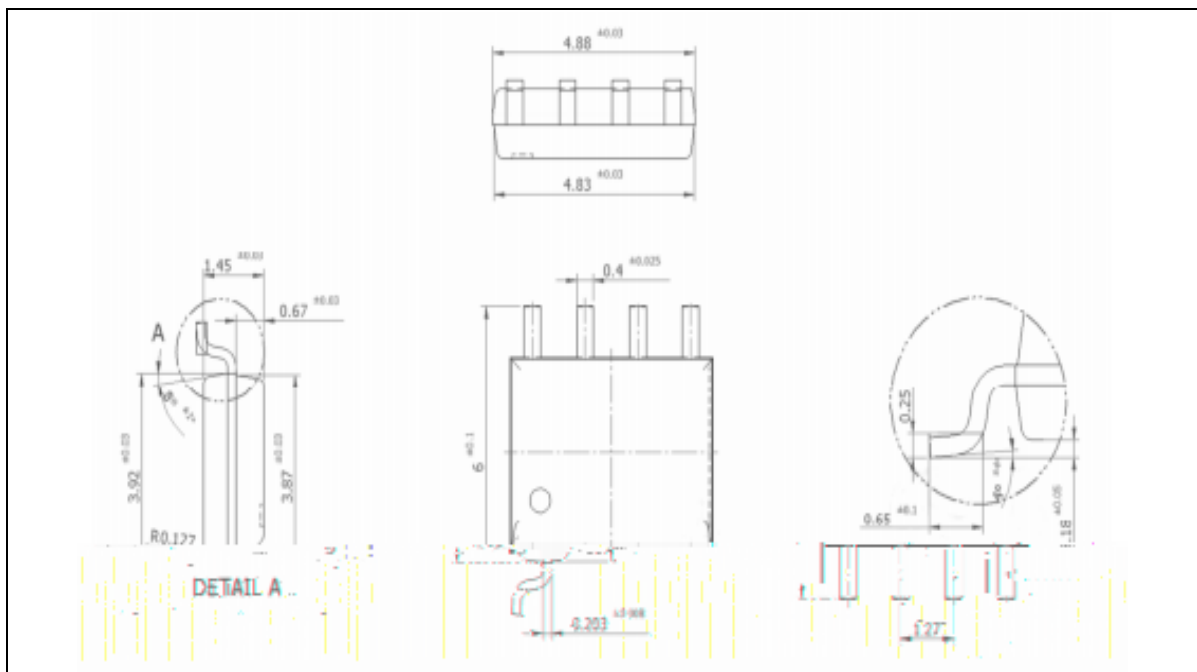
1 3

13

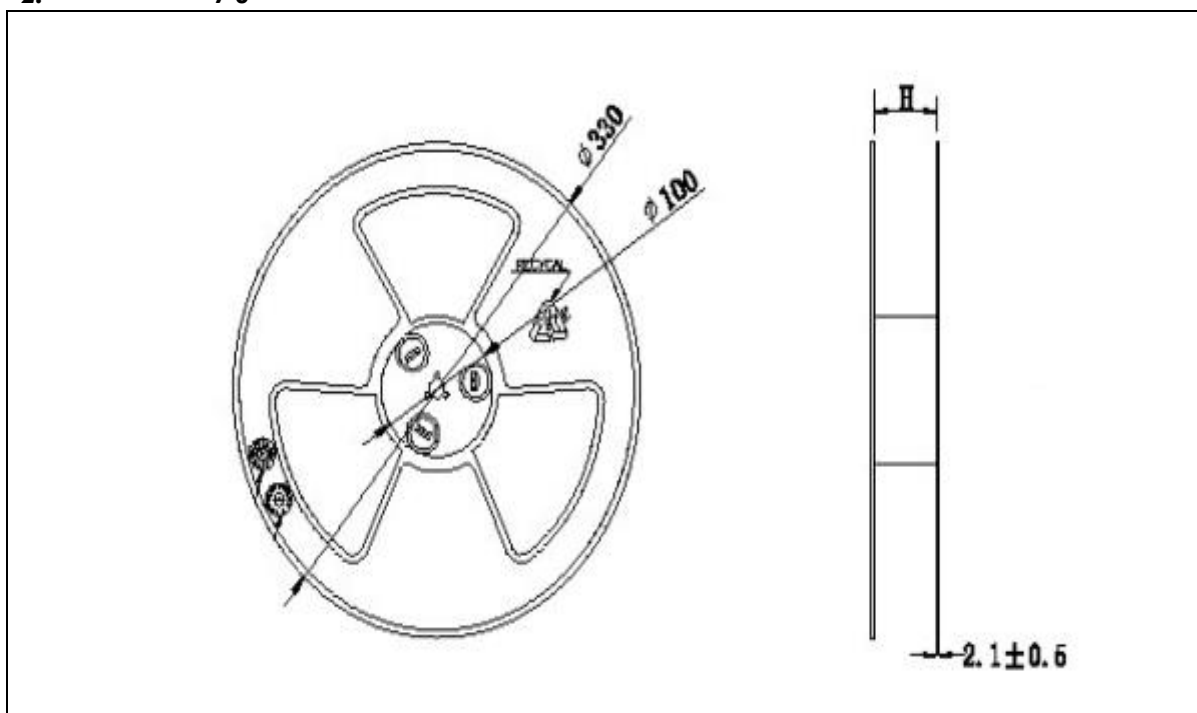
130



1. β



2. 70



▼
▼
▼
▼
▼
▼
▼