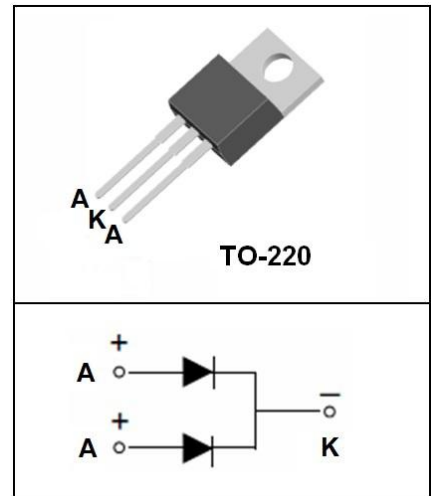


-
-
-
-
-
-
-
-
-



(2 °)

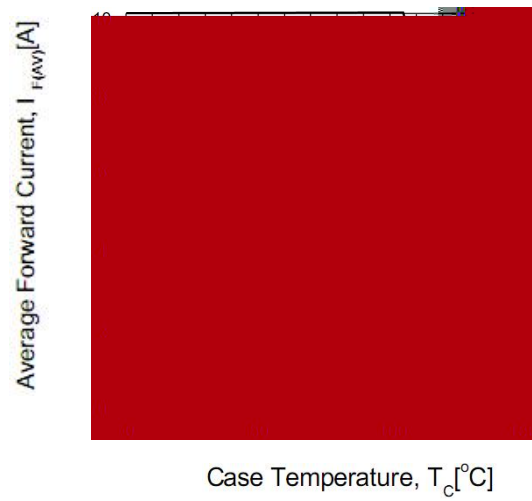
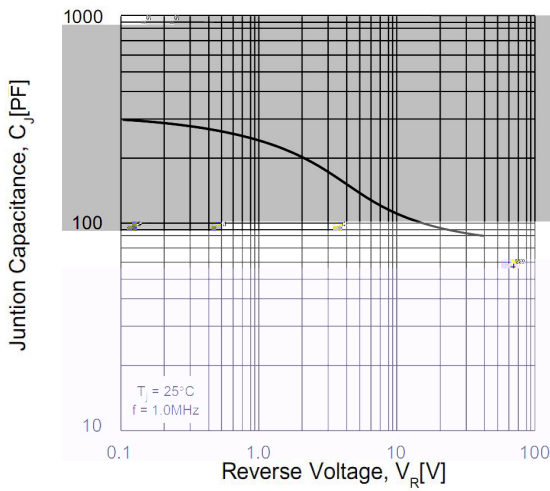
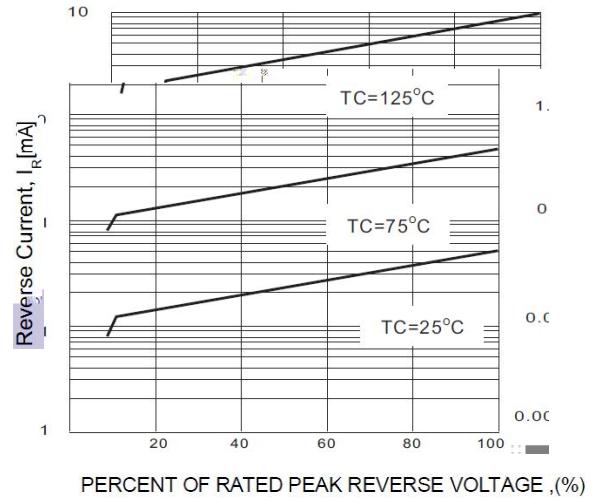
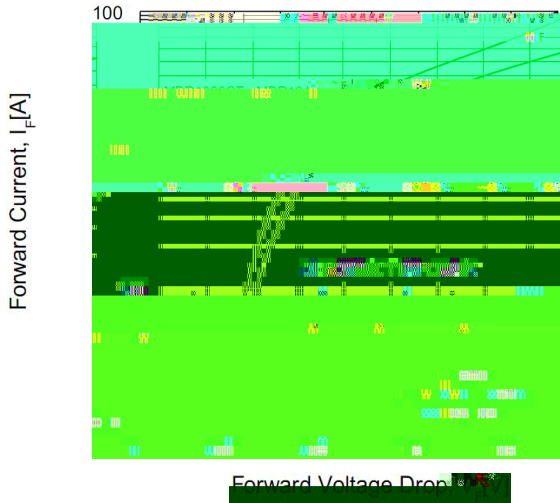
| | | | |
|-----|---------|--------|---|
| | | | |
| | | | |
| () | , 120°C | 10 () | |
| | , .3 | 12 | |
| | | 1 0 | ° |
| | | - +1 0 | ° |

(2 °)

| | | | |
|--|---|----|-----|
| | | | |
| | , | 2. | ° / |
| | , | 10 | ° / |

(2 °)

| | | | | |
|--|----|------|------|--|
| | | | | |
| | | 100 | | |
| | | 2 ° | 0.1 | |
| | | 12 ° | 0 | |
| | | 2 ° | 0. 3 | |
| | | 12 ° | 0. | |
| | 10 | 2 ° | 0. 3 | |
| | 10 | 12 ° | 0. | |



| | | | | | | |
|---|-------|-------|--------|-------|------|-------|
| | .00 | . 0 | | . 0 | | 10. 0 |
| | 1.1 | 1. | | | 2. | |
| 1 | 0. 0 | 1. 0 | | 1.10 | | 1. 0 |
| 1 | 0. | 0. | | 12. 0 | | 1 . 0 |
| | 0.30 | 0. 0 | 1 | 2. 0 | 3. 0 | 3. 0 |
| | 1 . 0 | 1 . 0 | | 2. 0 | | 3.10 |
| 1 | . 0 | . 0 | 1 | 2.00 | | 3.00 |
| | | | ϕ | 3. 0 | | .00 |

